



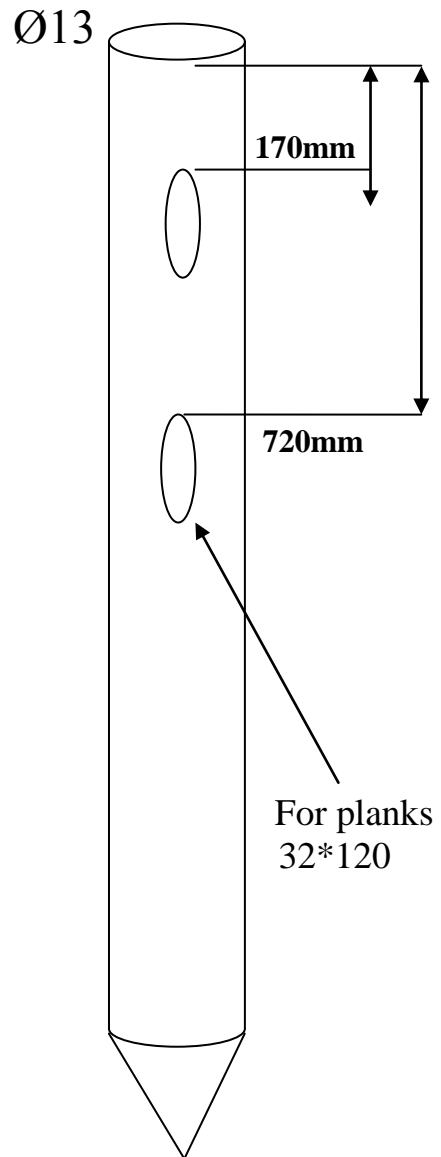
# BELWOOD Fences and Gates – dealers

**\*ALL OUR PRODUCTS IS IMPREGNATED WITH TANALITH, CLASS 4  
OR**

**\*Treatment of creosote is carried out in the Netherlands.**

## Horse fences

**Type A:** The horse fences are offered in needle wood:  
Round posts Ø13 crossed by 2 or 3 oval planks 3.2cm x 12cm



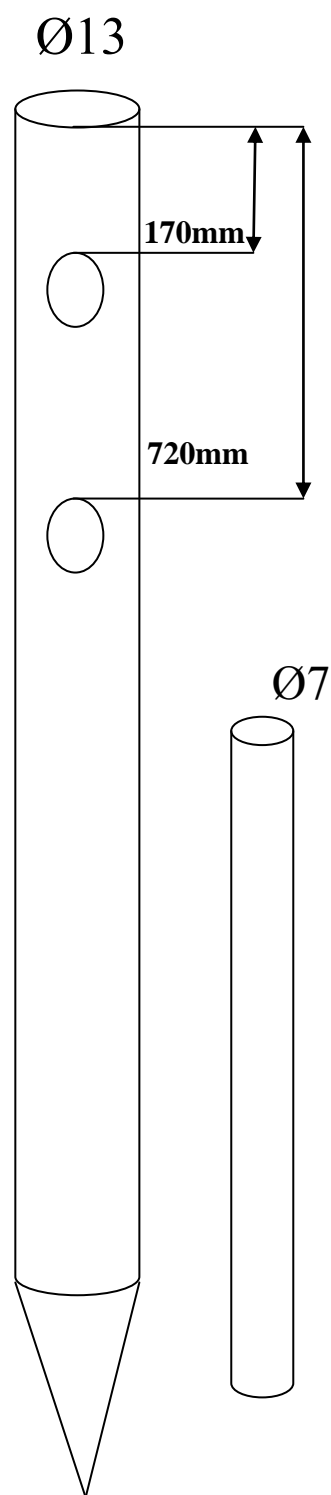
**BELWOOD**

Darziema street 60-219, LV-1073, Riga, LATVIA  
Tel.: +371 29114040, fax: +371 6711 3608  
e-mail: inesa@belwood.lv, www.belwood.lv

## Type B:

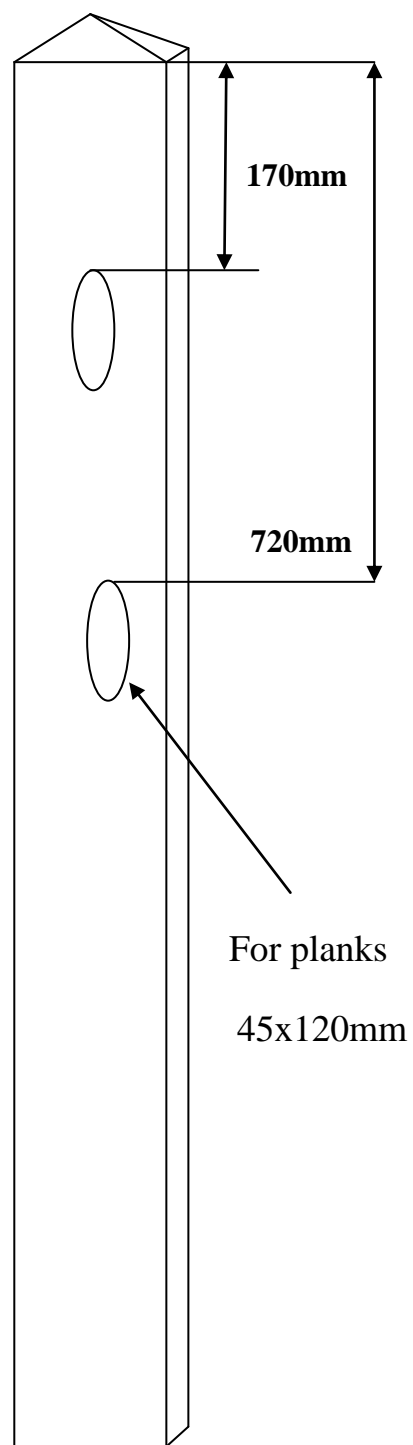
The horse fences are offered in needle wood:

Round posts  $\text{Ø}13$  crossed by 2 or 3 round posts  $\text{Ø}7$



## Type C:

Square posts with diamond top 12x12x2.2m crossed by 2 or 3 oval planks 4.5cm x 12cm.



**BELWOOD**

Darziema street 60-219, LV-1073, Riga, LATVIA  
Tel.: +371 29114040, fax: +371 6711 3608  
e-mail: inesa@belwood.lv, www.belwood.lv